

**SAFETY ORGANIZATIONS**

THIS MODULE HAS BEEN FORMALLY RECOGNIZED, CERTIFIED OR APPROVED BY THE LISTED AGENCY. THEREFORE, ALL TEST/REQUIREMENTS SPECIFIED IN THE LATEST REVISION OF THE FOLLOWING AGENCY STANDARDS HAVE BEEN MET:

- UL RECOGNIZED: UL 498
- CSA CERTIFIED: CSA C22.2 No. 42
- VDE APPROVED: EN 60320-1

**OPERATING SPECIFICATIONS**

LINE CURRENT/VOLTAGE: 20 AMP, 250 VAC, UL/CSA  
16 AMP, 250 VAC, VDE

LINE FREQUENCY: 50-60Hz

**RELIABILITY SPECIFICATIONS:**

STORAGE TEMPERATURE: -40°C TO +85°C  
HUMIDITY: 21 DAYS @ 40°C 95% RH.

**TEST SPECIFICATIONS:**

L/G AND L/L I.R. @ 6000M (MIN.) 100VDC,  
20°C AND 50% RH

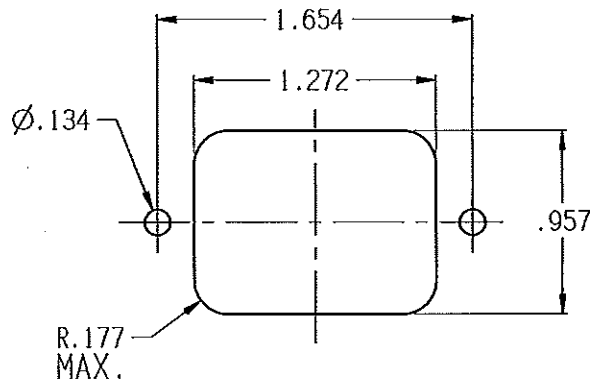
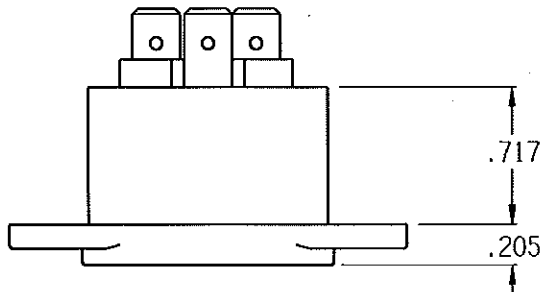
**RECOMMENDED RECEIVING INSPECTION HIPOT:**

LINE TO GROUND: 1500 VAC FOR 1 MINUTE  
LINE TO LINE: 1450 VDC FOR 1 MINUTE

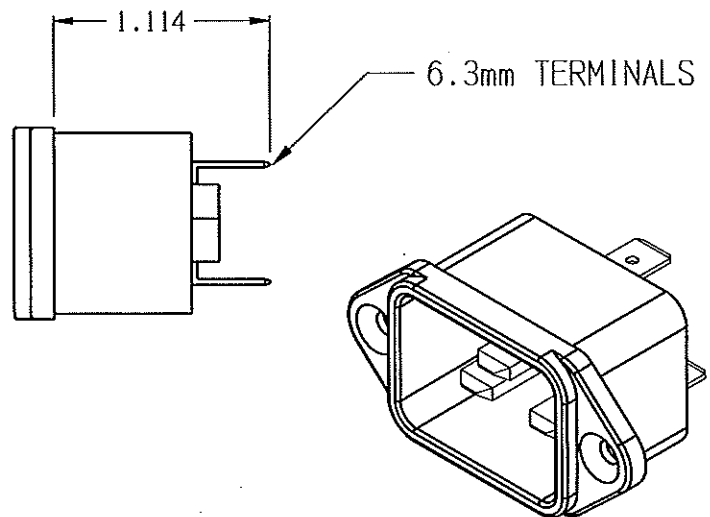
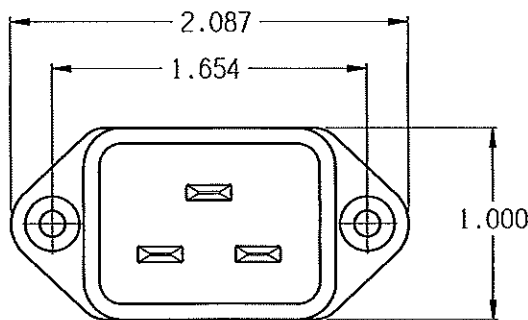
**CUSTOMER DRAWING**

CATALOG # 20ESRM-3

ECN#	APPRVD	DATE
10-005938	BG	19MAR10



RECOMMENDED PANEL CUTOUT



**50 Ω - 50 Ω (MINIMUM) INSERTION LOSS**

FREQUENCY MHz	/	/	/	/	/	/	/	/	/	/	/	/	/	/
COMMON dB	/	/	/	/	/	/	/	/	/	/	/	/	/	/
DIFF. dB	/	/	/	/	/	/	/	/	/	/	/	/	/	/

PARTS SHALL COMPLY WITH TYCO ELECTRONICS 138-702 SPECIFICATION FOR HAZARDOUS SUBSTANCES

UNLESS OTHERWISE SPECIFIED  
TOLERANCE TO BE ±0.025  
MATERIAL & FINISH: AS SUPPLIED

NOTES:



00900N PRODUCTS, 620 S. BUTTERFIELD RD., MANDELLEIN IL 60060

**CUSTOMER DRAWING**

TYCO ELECTRONICS PART NO. 4-1609134-7

SCALE: 1:1	DATE: 17FEB10	DRAWING NUMBER: 20ESRM-3	REV. A
DRW. BY: LJO	DRG: /		



THIS INFORMATION IS CONFIDENTIAL AND PROPRIETARY TO TYCO ELECTRONICS CORPORATION AND ITS WORLDWIDE SUBSIDIARIES AND AFFILIATES. IT MAY NOT BE DISCLOSED TO ANYONE OTHER THAN TYCO ELECTRONICS PERSONNEL, WITHOUT WRITTEN AUTHORIZATION FROM TYCO ELECTRONICS CORPORATION, HARRISBURG, PENNSYLVANIA USA.